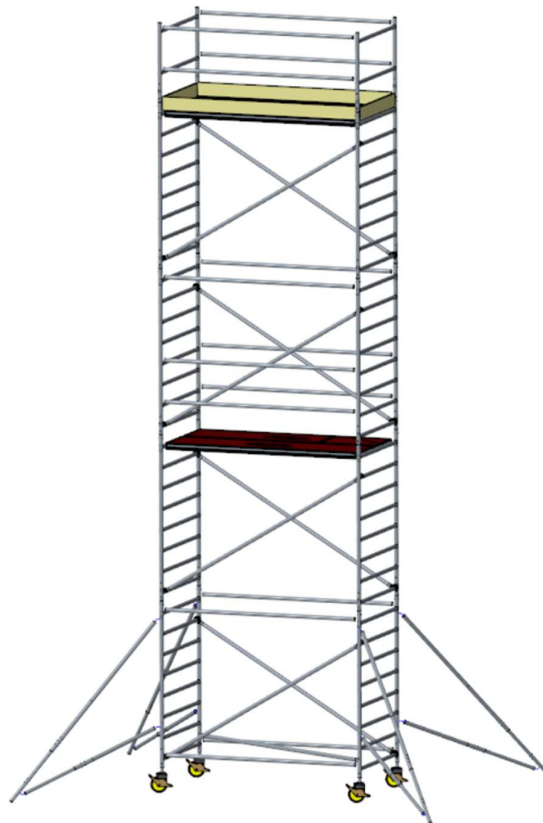


Instruction Manual

**CUSTERS® Mobile Scaffold Tower  
Handy Conventional**



|                          |                                      |
|--------------------------|--------------------------------------|
| Maximum load:            | 200 kg/m <sup>2</sup>                |
| Maximum platform height: | 12 meters inside<br>8 meters outside |

9505200001EN

April 2026

**Contents**

1. Introduction ..... 3

2. Specifications ..... 4

3. Warranty and liability ..... 4

4. Marking of mobile scaffold tower components ..... 4

5. Inspection upon delivery ..... 5

6. Safety instructions ..... 5

    6.1. Check before assembly ..... 5

    6.2. Personal protective equipment ..... 5

    6.3. Assembly ..... 5

    6.4. Lifting up components ..... 9

    6.5. Stabilizer ..... 9

7. Assembling the mobile scaffold tower ..... 11

8. Information to be displayed ..... 19

9. Safe use of the mobile scaffolding ..... 19

10. Relocating the mobile scaffold tower ..... 23

11. Anchoring ..... 24

12. Use a mobile scaffold against a facade ..... 25

13. Dismantling ..... 25

14. Maintenance ..... 26

15. Composition tables ..... 27

## 1. Introduction

The Custers® mobile scaffold is part of a wide range of aluminum scaffold variants. Provided it is assembled according to this manual, the mobile scaffold complies with the standard EN1004-1:2005. (Note: this assembly therefore does not comply with EN1004-1:2020.)

The Custers® mobile scaffold tower is available in the following versions:

- Scaffold length: 1.8 m, 2.5 m and 3.1 m
- Scaffold width: 0.7 m and 1.3 m

This instruction manual is intended to instruct you step by step how to assemble your scaffold easily and safely. Incorrect assembly may result in serious personal injury. Read the safety instructions carefully before assembly. The erection and dismantling should be done by experienced and competent persons only.

**This instruction manual shall be available on the location of use of the mobile access and working tower.**

**This mobile access and working tower shall only be used according to this manual without any modification.**

**Mobile access and working towers shall only be used in accordance with national regulations**

If there are any uncertainties with regard to this manual, please contact your supplier and/or manufacturer.

Manufacturer:

Custers Hydraulica B.V.  
Smakterweg 33  
5804 AE Venray, The Netherlands  
Telephone: +31 (0) 478 553 000  
Email: info@custers.nl  
Website: www.custers.nl

Supplier:

## 2. Specifications

|                       |                       |
|-----------------------|-----------------------|
| Standard:             | NEN-EN1004-1:2005     |
| Scaffold class:       | 3                     |
| Max. load:            | 200 kg/m <sup>2</sup> |
| Max. platform height: | 12 m                  |
| Max. wind load:       | 6 Beaufort            |

## 3. Warranty and liability

Custers warrants material and manufacturing defects for 12 months after delivery. The warranty means that we repair faults at our own expense or -at our sole discretion- will take back all or part of the delivered goods and replace them with a new delivery.

If we replace products delivered in fulfilment of our warranty obligation, the replaced products become our property. All costs arising from the aforementioned obligation shall be borne by the commissioning party. If products are provided for processing, repair, etc., a warranty will only be given for the adequacy of the execution of the operations that have been assigned.

Our liability does not apply:

- a. If the faults are the result of improper use or any other causes not involving material or manufacturing defects;
- b. If the cause of the defects cannot be clearly demonstrated;
- c. If all instructions for the use of the products, including the guidelines as indicated in this manual, have not been strictly and completely observed.

The manufacturer's liability does not apply if the buyer, on his own initiative, makes or arranges for changes and/or repairs to the delivered products.

## 4. Marking of mobile scaffold tower components

- Each aluminium / plastic /wooden component from the mobile scaffold tower is provided with the Custers' company name and a two-digit code corresponding to the year of production.
- 8-rung frames are always provided with a compulsory waterproof label with details of the scaffolding class and indicative assembly instructions.

## 5. Inspection upon delivery

Upon receipt, check that the tower scaffolding is complete and undamaged. Contact your supplier immediately if you notice that the components of the tower scaffolding are damaged or if the components that have been delivered are incomplete.

## 6. Safety instructions

### 6.1. Check before assembly

Verify whether the personnel assembling the scaffolds are sufficiently qualified and that the place where the tower scaffolding is to be erected is safe and suitable.

Caution:

- The ground must be sufficiently load-bearing and flat;
- The space must be free of obstacles, both on the ground and above ground;
- Verify whether the wind conditions allow safe use of the scaffolding;
- Check to make sure that you have all the components at the workplace;
- Never use damaged, incorrect or non-original components;
- Be aware of possible electrical hazards.

### 6.2. Personal protective equipment

- Always wear work gloves, safety shoes and a safety helmet.

### 6.3. Assembly

The assembly of the mobile scaffold tower must be carried out by at least 2 persons.

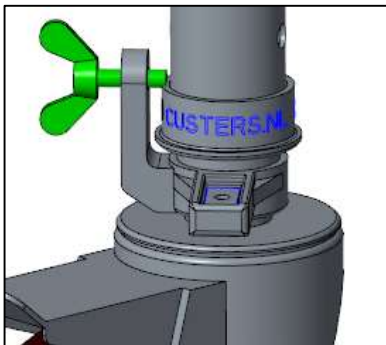
Please note the following:

- a) User training courses cannot be a substitute for instruction manuals but only complement them;
- b) Only the original Custers components specified in this manual shall be used;
- c) Damaged or incorrect components shall not be used;
- d) This product shall only be used according to the instruction manual
- e) Mobile access and working towers designed in accordance with EN1004-1 are not anchor points for personal fall arrest equipment;
- f) Working is only permitted on a platform with a complete side protection including guardrails and toe boards.

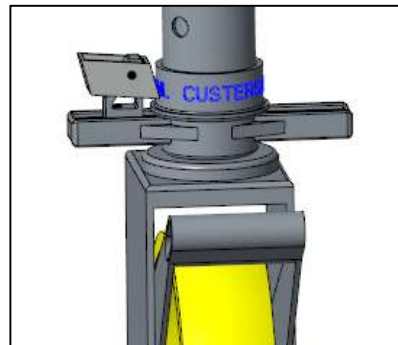
Use leading guardrail frames during the assembly to prevent persons from falling: when you stand on a platform you must be protected by guardrails on hip and knee level on all four sides.

The mobile scaffold tower must be erected flat with a maximum inclination of 1% (a maximum of 1 cm inclination over a length of 1 metre); check this with a spirit level; correction is possible by tightening the spindle nuts of the casters. The casters must always be in locked position, except for relocating the scaffold. Make sure that the casters are locked, either by tightening the wing nut, or by tilting the locking tab over the cantilevered edge of the chord stiffener.

*CR version*



*Handy version*

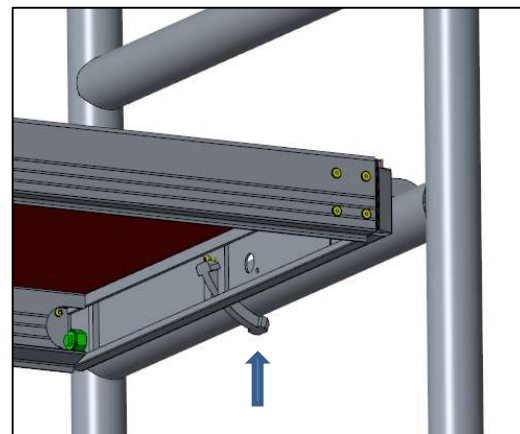


The platforms must be secured by sliding the pawl of the blow-away protection under the rung. The frames must be secured using locking pins in the lowest holes in the uprights in order to fix the spigot pen of the frame underneath.

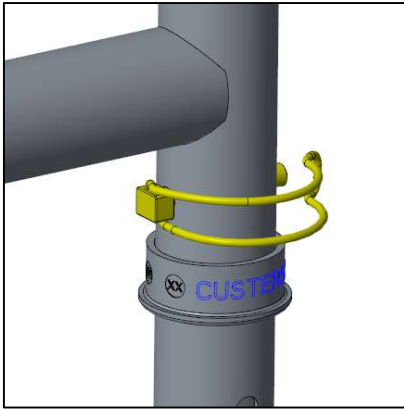
*CR platform*



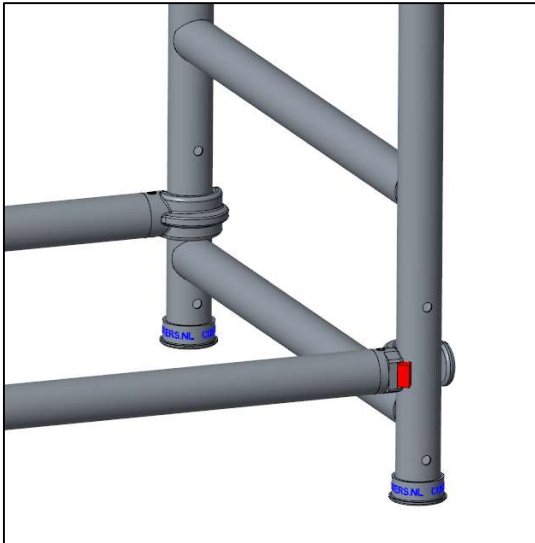
*Handy platform*



*Frame security pin*

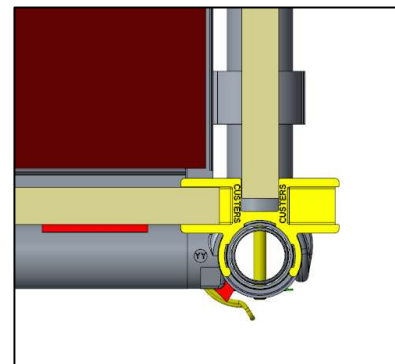
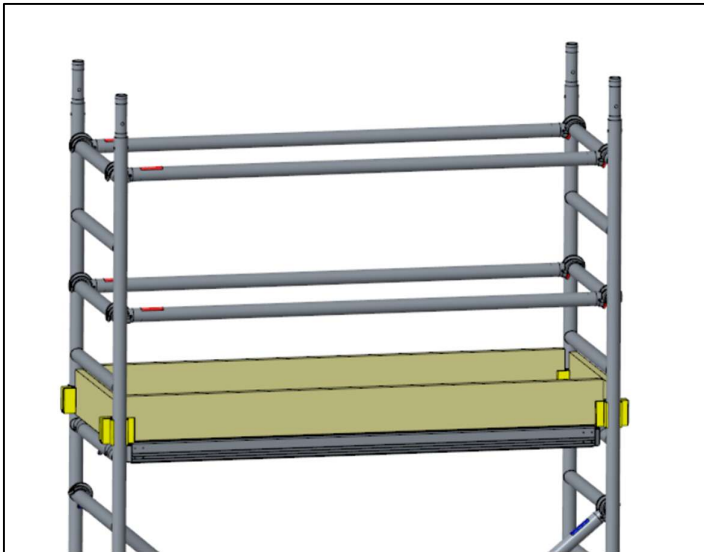


Horizontal braces/guardrails must preferably be positioned on the uprights in such a way that the openings of the claws point outwards.



There must always be at least 1 platform with hatch on the working level; the working level must be fitted with: guardrail, knee railing and toe boards all around. There must always be at least one platform with a hatch on the resting level. The resting level must be fitted all around with guardrails and knee railings and must be installed every 2 metres.

A resting level is converted into a working level through the installation of toe boards all around.

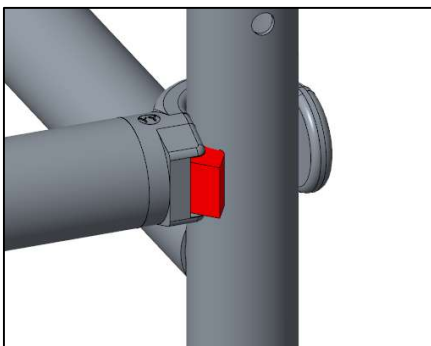


Be aware that one level only shall be a working platform at one time.

It is to be taken into account that the correct platform height in relation to the required work should be selected.

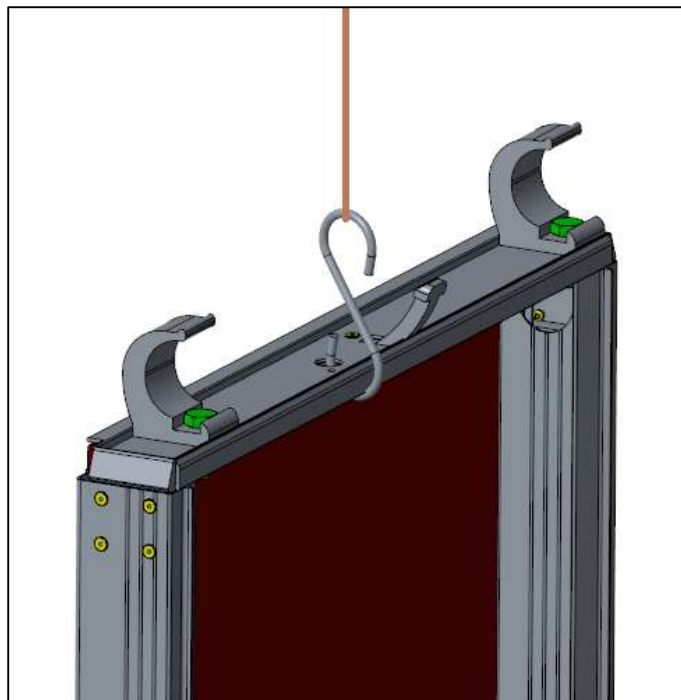
On a working platform a maximum of two persons are permitted.

The horizontal and diagonal braces have a self-locking claw. To unlock, just push the coloured plastic part inwards and the brace can be removed.



#### 6.4. Lifting up components

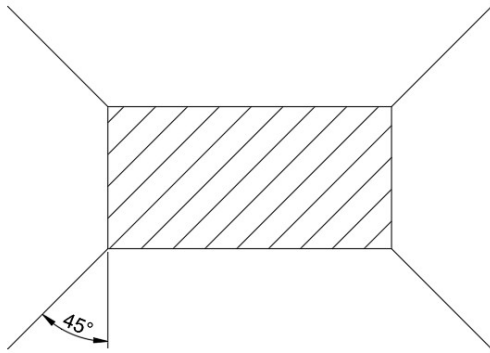
Lifting up components onto higher areas should be done by passing the components from platform to platform. Parts can also be lifted upwards with a sturdy rope. Use a proper knot, loop or hook to secure the components. Hoisting equipment may not be attached to the scaffold.



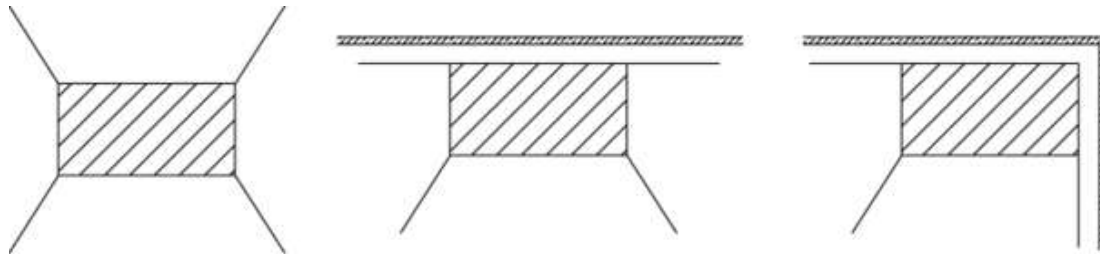
It's also recommended to use additional platforms during assembly. These are placed between the final platform heights to make it easier to pass components from platform to platform.

#### 6.5. Stabilizer

The stabilizers specified in the assembly table must always be installed as soon as the lower section of the scaffolding is assembled. This ensures the scaffolding remains stable, even during assembly. Whether large or small stabilizers should be used, can be found in the assembly tables in this manual. When installing the stabilizers, ensure that the top connector is positioned directly under a rung to prevent them from accidentally sliding upward. Always position the stabilizers at an angle of approximately 45 degrees to the assembly frame.



The basic forms shown below must be strictly adhered to!



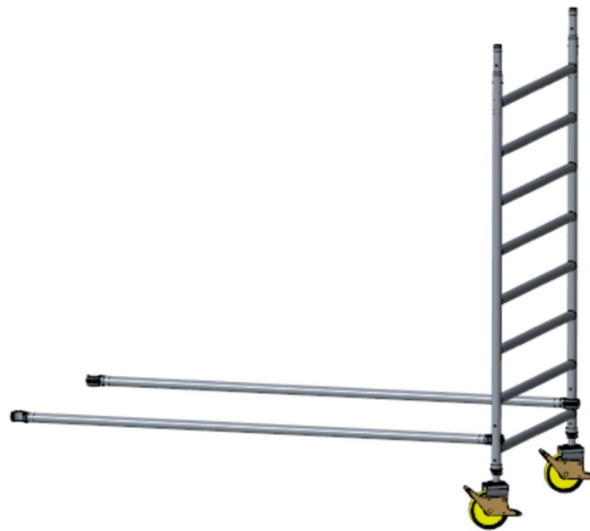
If the mobile scaffold tower is placed against a wall, do not remove the stabilizer, but turn it parallel to the wall. If the mobile scaffold tower is placed at an angle, remove the inner stabilizer, and turn the outer two parallel to the wall.

## 7. Assembling the mobile scaffold tower

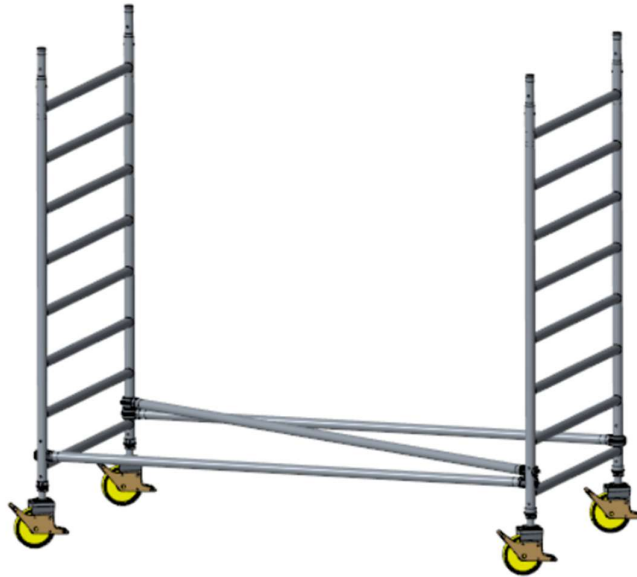
To assemble the scaffolding correctly, it's helpful to determine in advance the desired height for the final work platform. Depending on this height, the intermediate platforms will also need to be positioned at the correct height. The table below provides an overview for proper assembly.

| Platform height         | 2m | 3m | 4m | 5m | 6m | 7m | 8m | 9m | 10m | 11m | 12m |
|-------------------------|----|----|----|----|----|----|----|----|-----|-----|-----|
| 3 <sup>e</sup> platform |    |    |    |    |    |    |    | 9m | 10m | 11m | 12m |
| 2 <sup>e</sup> platform |    |    |    | 5m | 6m | 7m | 8m | 7m | 8m  | 8m  | 8m  |
| 1 <sup>e</sup> platform | 2m | 3m | 4m | 3m | 4m | 4m | 4m | 4m | 4m  | 4m  | 4m  |

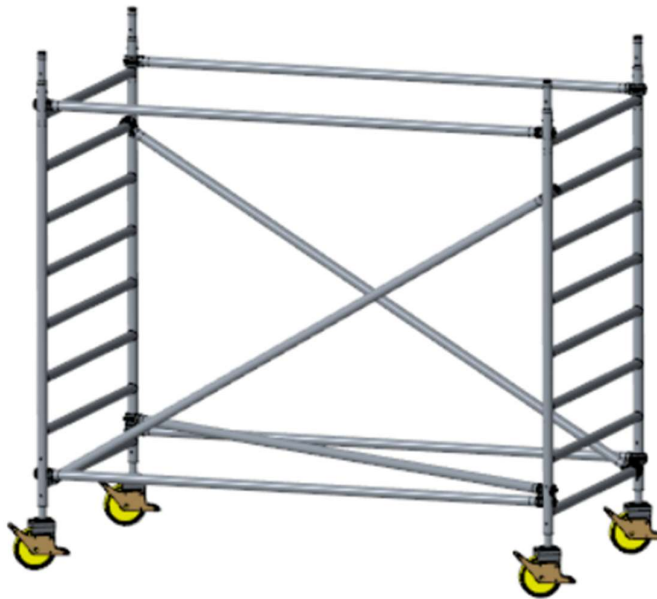
The assembly instructions below are based on a wide scaffold tower (1300mm). A scaffold tower (690mm) should be assembled in a similar manner. However, only one platform is placed on each level instead of two.



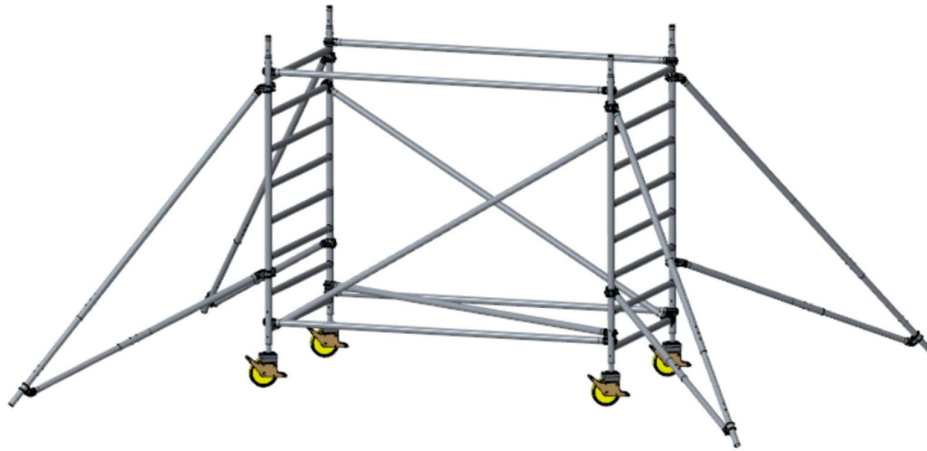
1. Insert two casters into the vertical tubes of an 8-rung frame. Make sure the casters are secured.
2. Place two horizontal braces on the vertical uprights of the frame.



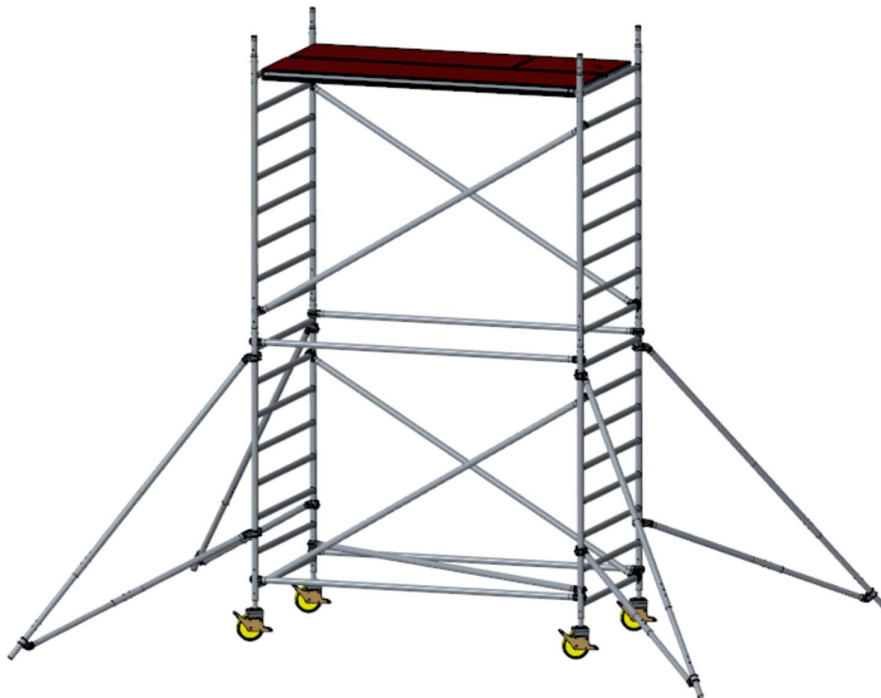
3. Insert two casters into the vertical tubes of another 8-rung frame. Make sure the casters are secured.
4. Place the horizontal braces on the uprights of the frame.
5. Place the horizontal/diagonal brace on the uprights of both frames.



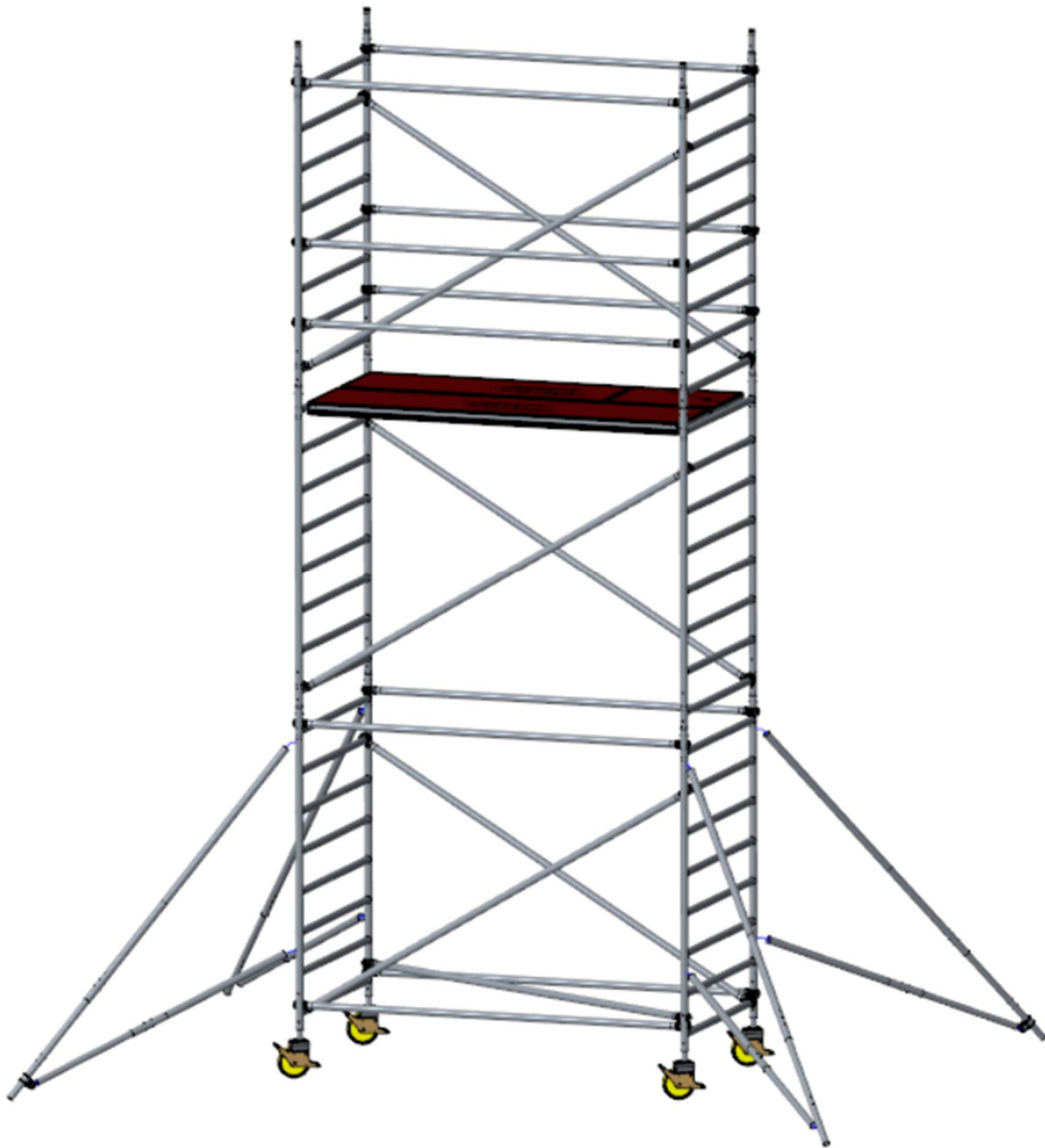
6. Place two diagonal braces to connect the first rung of one frame to the seventh rung of the other frame. Place them as close as possible to the frame uprights.
7. Place two horizontal braces on top of the 8th rung of both frames. Place one at each side.
8. Lock the brakes and set the scaffold level by twisting the spindle nut of the casters.



9. Place stabilizers at each corner of the scaffolding. Ensure they are at a 45-degree angle to the scaffolding frames. The top connector should be positioned just below a rung so it can never slide upward. Then, slide the bottom connector as high as possible onto the upright, ensuring the leg is slightly tensioned before tightening the bottom connector.



10. Place two new 8-rung frames on the tower built thus far.  
 11. Secure the two frames with locking pins.  
 12. Place two diagonal braces to connect the first rung of one frame to the seventh rung of the other frame. Place them as close as possible to the frame uprights.  
 13. Place two platforms on the top rungs of both frames, one of them should contain a hatch.



14. Place two new 8-rung frames on the tower built thus far.
15. Secure the two frames with locking pins.
16. Place two diagonal braces to connect the first rung of one frame to the seventh rung of the other frame. Place them as close as possible to the frame uprights.
17. Place horizontal braces on the 2<sup>nd</sup> and 4<sup>th</sup> rung of both frames. Place them at both sides of the scaffold tower.
18. Place two horizontal braces on top of the 8<sup>th</sup> rung of both frames. Place one at each side.

19. Repeat steps 10 to 18 until you reach the final build-up layer. The final build-up layer depends on the desired final platform height.

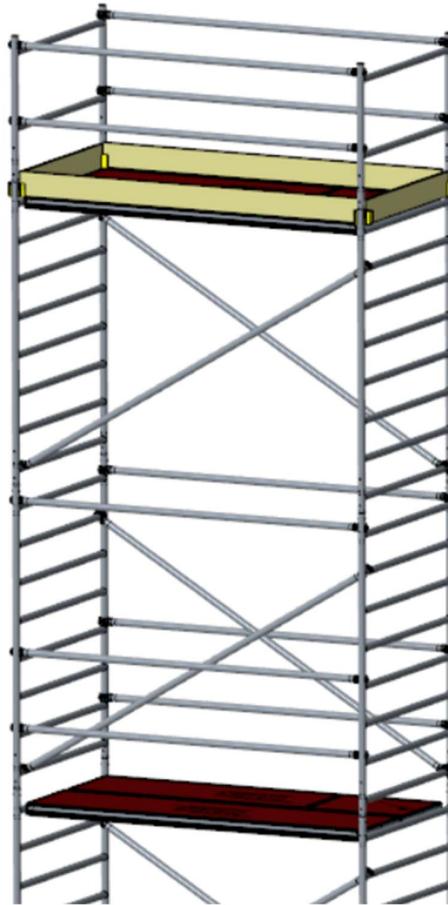
If the final platform height is 12, 8, or 4 meters, continue with the assembly instructions at step 20.

If the final platform height is 11, 7, or 3 meters, continue with the assembly instructions at step 26.

If the final platform height is 10 or 6 meters, continue with the assembly instructions at step 30.

If the final platform height is 9 or 5 meters, continue with the assembly instructions at step 36.

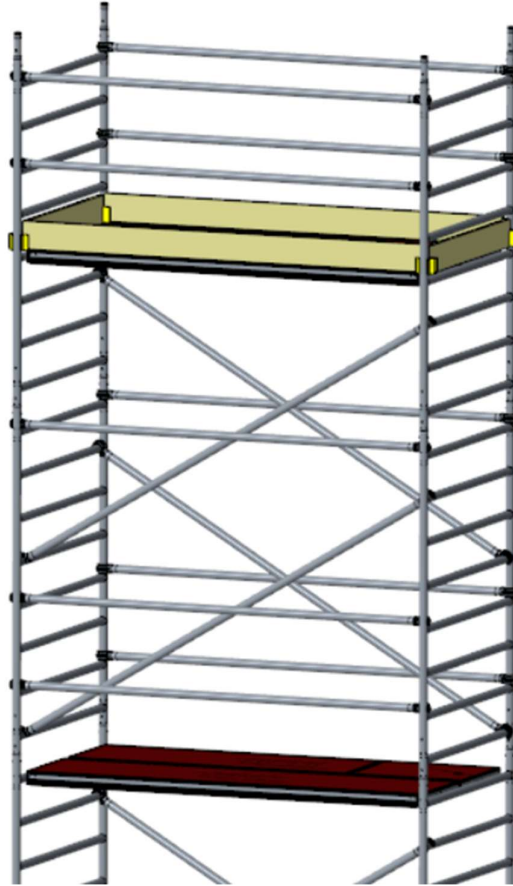
Platform height 12, 8 or 4 meter



20. Place two guardrail frames on the tower you have built so far.
21. Secure the two frames with locking pins.
22. Place horizontal braces as knee and hip rail on both long sides of the scaffolding.
23. Place a toe board bracket on each corner of the platform.
24. Place toe boards so that the entire platform is enclosed.
25. The scaffolding looks like the picture above and is ready for use.

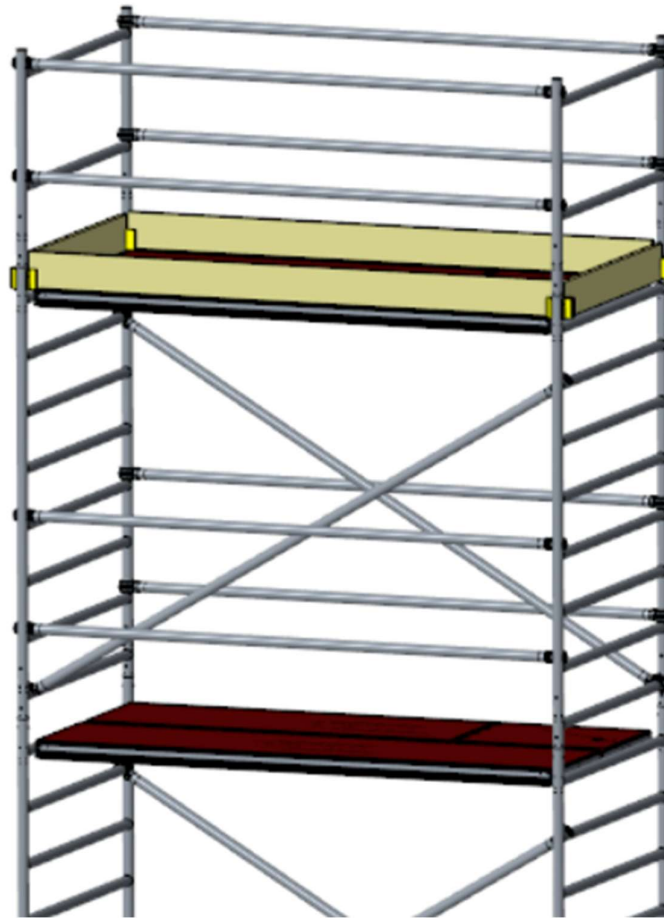
Platform height 11, 7 or 3 meter

Make sure the last two diagonals are placed 4 rungs lower than normal, so that the top platform can rest on the 4th rung of the highest frames.



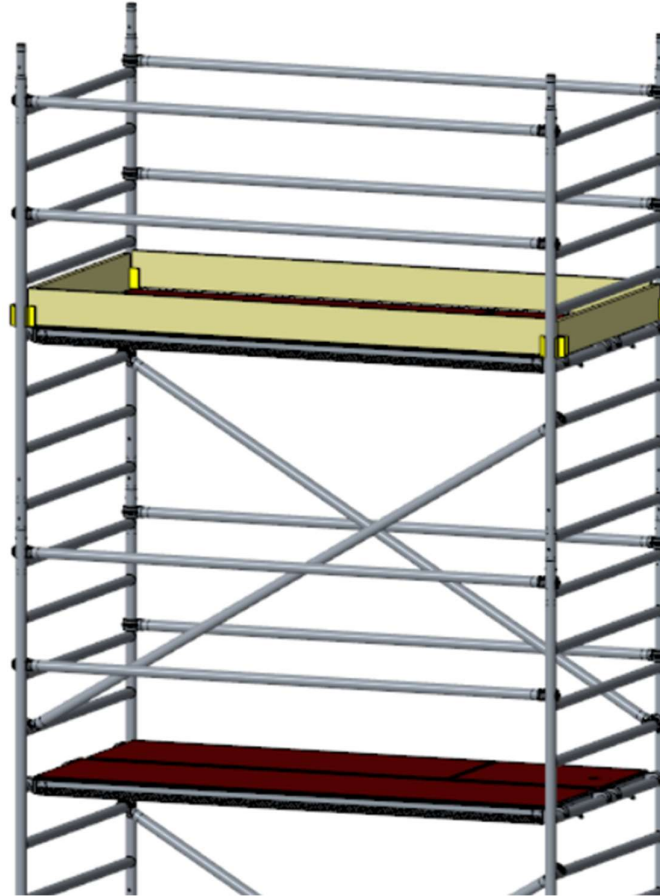
26. Place horizontal braces as knee and hip rail on both long sides of the scaffolding.
27. Place a toe board bracket on each corner of the platform.
28. Place toe boards so that the entire platform is enclosed.
29. The scaffolding looks like the picture above and is ready for use.

Platform height 10 or 6 meter



30. Place two guardrail frames on the tower you have built so far.
31. Secure the two frames with locking pins.
32. Place horizontal braces as knee and hip rail on both long sides of the scaffolding.
33. Place a toe board bracket on each corner of the platform.
34. Place toe boards so that the entire platform is enclosed.
35. The scaffolding looks like the picture above and is ready for use.

Platform height 9 or 5 meter



36. Place horizontal braces as knee and hip rail on both long sides of the scaffolding.
37. Place a toe board bracket on each corner of the platform.
38. Place toe boards so that the entire platform is enclosed.
39. The scaffolding looks like the picture above and is ready for use.

## 8. Information to be displayed

After assembly or alteration the following minimum information shall be displayed on the mobile access and working tower and be clearly visible from the ground (e.g. on a tag):

- the name and contact details of the responsible person;
- if the tower is ready for application or not;
- the load class and the uniformly distributed load;
- if the mobile access and working tower is intended for indoor use only;
- date of assembly

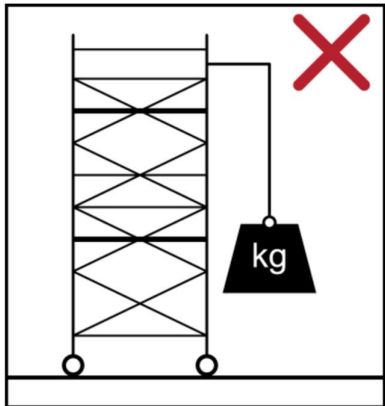
## 9. Safe use of the mobile scaffolding

Prior to each use, you should check that:

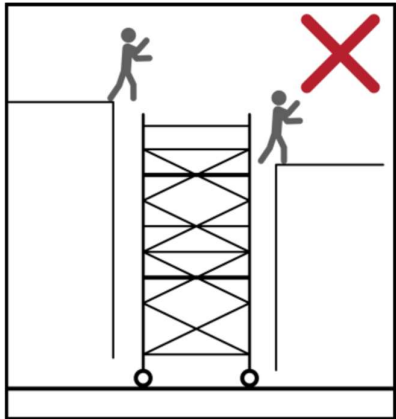
- The base (e.g. the stabilizers, casters) of the mobile scaffold tower is correct;
- The total construction is correct and complete;
- There are changes in circumstances, that may affect the safe use of the scaffold.

A mobile scaffold tower is intended to provide access to a workplace.

- Do not lift heavy equipment from the tower.



- Mobile access and working towers in accordance with EN1004-1 are not designed to be used as a means to enter or exit other structures, e.g. as a stair tower:
  - It is also not allowed to use the scaffold as a hanging scaffold, for the application of cantilevered work floors or to use the scaffold to switch over to other constructions.
  - It is not allowed to make bridges between a mobile scaffold tower and a building.



It is not allowed to make bridges between a mobile scaffold tower, unless specifically calculated applications are used.

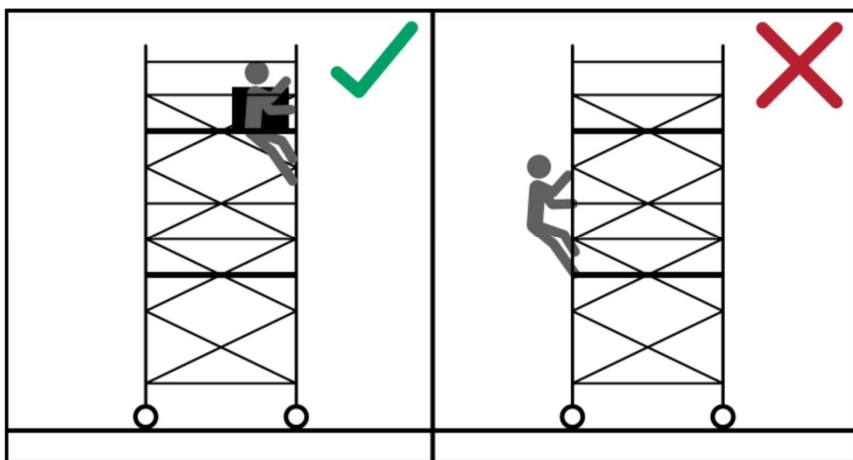
The maximum workload is 200 kg/m<sup>2</sup> (scaffolding class 3); only one level of maximum load per scaffolding may be used. The maximum uniformly distributed load on a working platform is 275 kg.

It is prohibited to jump on the platforms; the hatch of the platform must always be closed except when climbing or descending.

The maximum platform height is:

- inside: 12 metres
- outside: 8 metres

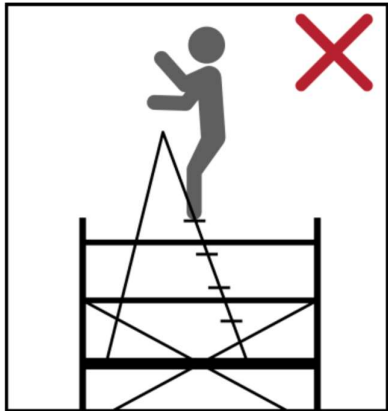
Do not climb the outside of the mobile access and working tower. The scaffold may only be climbed from the inside through the frames. Alternatively hanging ladders, ladder platforms or stairs can be used to gain height.



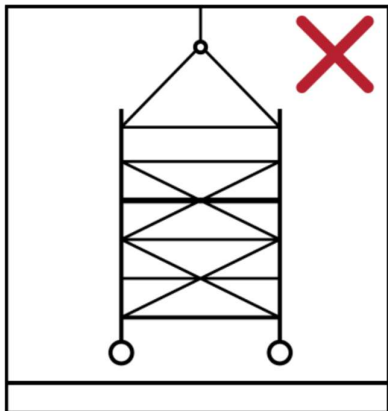
Take care that ladder platforms always have to be applied above a non-ladder platform or the ladder should be supported by the fixed part of the ladder platform underneath.

The hatches of these platforms always have to be closed after use of the ladder. The design is as such, that the hatches close automatically.  
For stairway towers we refer to the instruction manual specially made for this option.

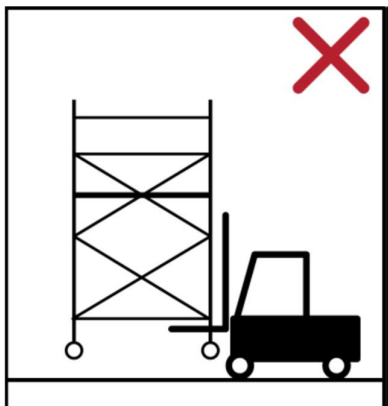
It is not allowed to extend the height of the platform by the use of ladders, boxes or other devices.



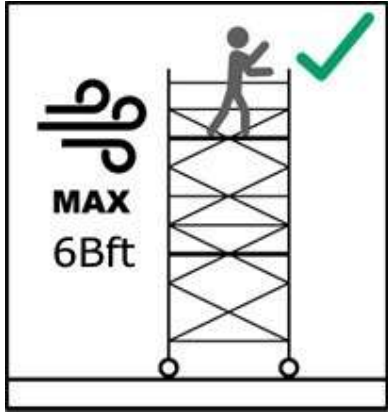
- Do not hoist or suspend the scaffold.



- Do not lift the tower with mechanical equipment



- It is prohibited to work on the scaffolding if the wind force is greater than 6 Beaufort (large branches move, umbrellas fold, the wind speed is 11 - 14 m/s = ± 45 km/h).



If the expected wind force is greater than 6 Beaufort the freestanding mobile scaffold tower must be either disassembled, or relocated to a wind-free zone, or be anchored. This should also be done, if the scaffold is not in use.

Warning: Be aware of openings in buildings, uncovered buildings and corners of buildings that may cause additional wind loads.

Caution: During the application of horizontal forces (e.g. drilling), which push the tower away from a structure; the maximum horizontal load is 30 kg.

- Horizontal braces, guardrails, knee railings and diagonal braces may not be used as steps.
- Mobile access and working towers are not designed to be sheeted: it is prohibited to attach wind-catching surfaces such as billboards or tarpaulins to freestanding scaffolds.
- The scaffold must not be exposed to aggressive liquids or gases.
- Mobile access and working towers in accordance with EN1004-1 are not designed to be used as a means of edge protection.

## 10. Relocating the mobile scaffold tower

Procedure for relocating the mobile scaffold tower:

- Check the environment for obstacles that may be around the route that the mobile scaffold tower will follow. Make sure the surface is clean, check the route on potholes / unevenness / cables / irregularities / traffic / passers-by.
- Reduce the height to 6,3 m platform height maximum
- The maximal permitted slope is 1% (1% = a maximum of 1 cm inclination measured per 1 metre)
- In the event of wind forces larger than 4 Beaufort the scaffold may no longer be relocated (4 Beaufort: dust, sand and paper will be blown up, small branches will be torn off; the wind speed is 5.5 - 7.9 m/s = ±20 - 28 km/h).
- Do not move the tower with people or materials on it
- For stability reasons it is strongly advised to roll lengthways by hand from the ground and do not exceed normal walking speed
- For safety reasons it is strongly advised to mount the outriggers with the supporting points a few centimeters above the ground, once the scaffold on its new location, put on the brakes and put the supporting points on the ground again

## 11. Anchoring

Anchoring is mandatory when:

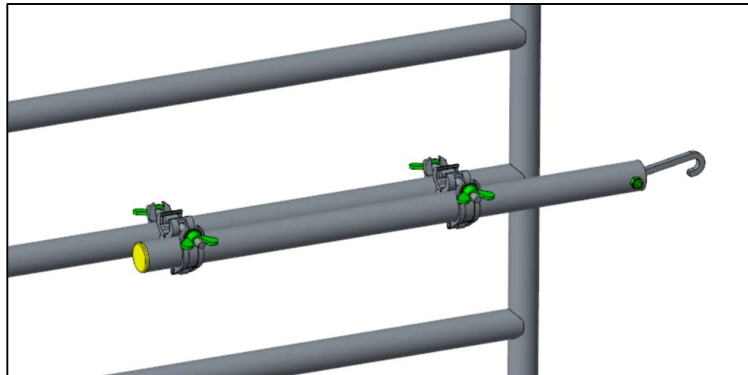
- The outrigger legs or outrigger arches cannot be mounted correctly.
- There is a platform height of more than 8 meters for outdoor use.
- Extreme weather conditions with strong winds.

Anchor only to a sturdy and solid point on a building or structure. Place two anchors at a height of at least every 4 meters (1 per window).

For each anchor, the following parts are required:

- 1x Wall anchor (9501 490 035)
- 2x Swivel coupling (9501 800 934)
- 1x Eye bolt (9501 800 340)
- 1x Plug (9501 800 341)
- 1x Plug cap (9501 800 342)

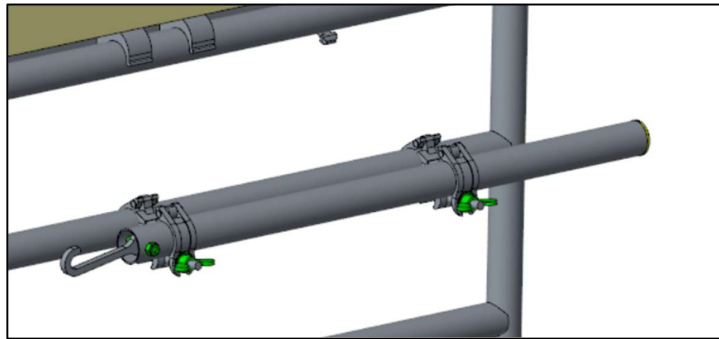
See the image below for correct installation.



## 12. Use a mobile scaffold against a facade

Provided a mobile scaffold is erected within a distance of 15 cm from a building facade, the following applies:

- The knee and hip railings of a working platform may be omitted if they obstruct the execution of the work. This applies to a maximum of one working platform in the entire scaffold tower. A toe board must always be present, including on the facade side.
- The two outrigger legs on the facade side are not required, provided the scaffold tower is supported against the facade at the height of the top floor level. Use two wall anchors/supports (9501 490 035) and four swivel couplings (9501 800 935) for this purpose. See the image below for correct assembly.



If the mobile scaffold is used outdoors with a platform height of 8 m or higher, supporting alone is not sufficient; actual anchoring is required. Or if the scaffold is erected indoors with a platform height of 12m or higher, anchoring is also necessary.

## 13. Dismantling

Dismantling should be done in reversed order. Start on top and work downwards to the base. Do not throw with parts.

## 14. Maintenance

All parts, particularly the pivoting parts and welds, must be inspected on a regular basis and at least once per year.

Missing and defective parts should be replaced.

Scaffolding parts are not allowed to be used in the following cases:

- When round tubes have one or more dull dents with a depth of more than 3 mm;
- When round tubes have one or more dents directly next to a welding junction regardless of depth or shape of the dent;
- When square or rectangular tubes have one or more full dents with a depth of more than 2 mm;
- When round or square tubes have one or more sharp dents or cracks regardless of length, depth or location of these dents or cracks.

Pivoting parts and castor wheels for example must be clean and run smoothly.

Repairs are only possible in consultation with the manufacturer.

## 15. Composition tables

The tables below indicates which components are required for assembling a scaffold up to a certain height. Make sure that these components are present.

Composition table Custers Handy 700 (conventional), freestanding, available in lengths 1.8m / 2.5m / 3.1m

|   |                    |      | Platform height [m] |      |                    |      |   |   |   |    |    |    |    |    |  |
|---|--------------------|------|---------------------|------|--------------------|------|---|---|---|----|----|----|----|----|--|
|   |                    |      | 2                   | 3    | 4                  | 5    | 6 | 7 | 8 | 9  | 10 | 11 | 12 |    |  |
| Description                                   | Part number        | Kg   |                     |      |                    |      |   |   |   |    |    |    |    |    |  |
| 8-Rung frame 690                              | 9501.200.012       | 8,5  |                     |      |                    |      |   |   |   |    |    |    |    |    |  |
| Guardrail frame 690                           | 9501.200.122       | 2,8  |                     |      |                    |      |   |   |   |    |    |    |    |    |  |
| Locking pin                                   | 9501.410.162       | 0,06 |                     |      |                    |      |   |   |   |    |    |    |    |    |  |
| Toe board 690                                 | 9501.200.092       | 1,2  |                     |      |                    |      |   |   |   |    |    |    |    |    |  |
| Toe board bracket                             | 9501.800.087       | 0,2  |                     |      |                    |      |   |   |   |    |    |    |    |    |  |
| Caster + spindle rubber                       | 9501.510.010       | 6,8  |                     |      |                    |      |   |   |   |    |    |    |    |    |  |
| Caster + spindle plastic                      | 9501.510.050       | 5,9  |                     |      |                    |      |   |   |   |    |    |    |    |    |  |
| Caster + spindle plastic CR                   | 9501.510.065       | 4,8  |                     |      |                    |      |   |   |   |    |    |    |    |    |  |
|   | <b>Length 1.8m</b> |      | <b>Length 2.5m</b>  |      | <b>Length 3.1m</b> |      |   |   |   |    |    |    |    |    |  |
| Description                                   | Part number        | Kg   | Part number         | Kg   | Part number        | Kg   |   |   |   |    |    |    |    |    |  |
| Handy platform with hatch, wood               | 9501.310.015       | 12,3 | 9501.310.025        | 20,4 | 9501.310.035       | 25,3 |   |   |   |    |    |    |    |    |  |
| CR platform with hatch, wood                  | 9501.316.015       | 12,3 | 9501.316.025        | 16,3 | 9501.316.035       | 18,3 |   |   |   |    |    |    |    |    |  |
| Handy platform with hatch, plastic            | 9501.311.015       | 11,9 | 9501.311.025        | 15,3 | 9501.311.035       | 18,3 | 1 | 1 | 1 | 2  | 2  | 2  | 3  | 3  |  |
| Horizontal                                    | 9501.200.058(CR)   | 2,0  | 9501.200.030(CR)    | 2,7  | 9501.200.040(CR)   | 3,2  | 6 | 8 | 8 | 12 | 12 | 14 | 14 | 18 |  |
| Diagonal                                      | 9501.200.043(CR)   | 2,5  | 9501.200.056(CR)    | 3,1  | 9501.902.056(CR)   | 3,6  | 2 | 4 | 4 | 6  | 6  | 8  | 8  | 10 |  |
| Toe board longitudinal side                   | 9501.200.086       | 3,5  | 9501.200.080        | 4,9  | 9501.902.080       | 6,0  | 2 | 2 | 2 | 2  | 2  | 2  | 2  | 2  |  |
| Horizontal/diagonal                           | 9501.200.048(CR)   | 2,1  | 9501.200.052(CR)    | 2,8  | 9501.200.054(CR)   | 3,3  | 1 | 1 | 1 | 1  | 1  | 1  | 1  | 1  |  |
| <b>INDOOR USE</b>                             |                    | Kg   |                     |      |                    |      |   |   |   |    |    |    |    |    |  |
| Stabilizer small - adjustable                 | 9501.410.100       | 6,6  |                     |      |                    |      | 4 | 4 | 4 | 4  |    |    |    |    |  |
| - fixed                                       | 9501.430.200       | 5,5  |                     |      |                    |      |   |   |   |    |    |    |    |    |  |
| Stabilizer large - adjustable                 | 9501.420.100       | 8,0  |                     |      |                    |      |   |   |   |    |    |    |    |    |  |
| - fixed                                       | 9501.430.210       | 7,0  |                     |      |                    |      |   |   |   |    |    |    |    |    |  |
| <b>OUTDOOR USE (up to PH=8m) <sup>2</sup></b> |                    | Kg   |                     |      |                    |      |   |   |   |    |    |    |    |    |  |
| Stabilizer small - adjustable                 | 9501.410.100       | 6,6  |                     |      |                    |      |   |   |   |    |    |    |    |    |  |
| - fixed                                       | 9501.430.200       | 5,5  |                     |      |                    |      | 4 | 4 | 4 | 4  |    |    |    |    |  |
| Stabilizer large - adjustable                 | 9501.420.100       | 8,0  |                     |      |                    |      |   |   |   |    |    |    |    |    |  |
| - fixed                                       | 9501.430.210       | 7,0  |                     |      |                    |      |   |   |   |    |    |    |    |    |  |

Note: The table is based on a working level at the indicated platform height, equipped with guardrails, knee rails, toe boards, and rest levels every 4 meters with railings and knee rails. To convert a rest level to a working level, you will need: 4 toe board holders, 2 long-side toe boards, and 2 toe boards of 690mm.

<sup>1</sup> = it is practical to use additional auxiliary floors to easily erect the scaffolding tower.

<sup>2</sup> = outdoor use with a platform height higher than 8m is prohibited unless the scaffolding is anchored to the facade of a building.

<sup>3</sup> = scaffold tower sizes 1.3x1.8 and 0.7x3.1 must be equipped with 4 XL stabilizers (9501.430.100).

Composition table Custers Handy 1300 (conventional), freestanding, available in lengths 1.8m / 2.5m / 3.1m

|   |                    |      | Platform height [m] |      |                    |      |    |    |    |    |    |                |    |  |
|---|--------------------|------|---------------------|------|--------------------|------|----|----|----|----|----|----------------|----|--|
|   |                    |      | 2                   | 3    | 4                  | 5    | 6  | 7  | 8  | 9  | 10 | 11             | 12 |  |
| Description                                   | Part number        | Kg   |                     |      |                    |      |    |    |    |    |    |                |    |  |
| 8-Rung frame 1300                             | 9501.200.010       | 12,5 | 2                   | 4    | 4                  | 6    | 6  | 8  | 8  | 10 | 10 | 12             | 12 |  |
| Guardrail frame 1300                          | 9501.200.120       | 3,7  | 2                   | 0    | 2                  | 0    | 2  | 0  | 2  | 0  | 2  | 0              | 2  |  |
| Locking pin                                   | 9501.410.162       | 0,06 | 4                   | 4    | 8                  | 8    | 12 | 12 | 16 | 16 | 20 | 20             | 24 |  |
| Toe board 1300                                | 9501.200.090       | 2,4  | 2                   | 2    | 2                  | 2    | 2  | 2  | 2  | 2  | 2  | 2              | 2  |  |
| Toe board bracket                             | 9501.800.087       | 0,2  | 4                   | 4    | 4                  | 4    | 4  | 4  | 4  | 4  | 4  | 4              | 4  |  |
| Caster + spindle rubber                       | 9501.510.010       | 6,8  |                     |      |                    |      |    |    |    |    |    |                |    |  |
| Caster + spindle plastic                      | 9501.510.050       | 5,9  | 4                   | 4    | 4                  | 4    | 4  | 4  | 4  | 4  | 4  | 4              | 4  |  |
| Caster + spindle plastic CR                   | 9501.510.065       | 4,8  |                     |      |                    |      |    |    |    |    |    |                |    |  |
|   | <b>Length 1.8m</b> |      | <b>Length 2.5m</b>  |      | <b>Length 3.1m</b> |      |    |    |    |    |    |                |    |  |
| Description                                   | Part number        | Kg   | Part number         | Kg   | Part number        | Kg   |    |    |    |    |    |                |    |  |
| Handy platform, wood                          | 9501.310.010       | 14,7 | 9501.310.020        | 19,9 | 9501.310.030       | 24   |    |    |    |    |    |                |    |  |
| CR platform, wood                             | 9501.316.010       | 11,8 | 9501.316.020        | 16,3 | 9501.316.030       | 18,3 | 1  | 1  | 1  | 2  | 2  | 2              | 3  |  |
| Handy platform, plastic                       | 9501.311.010       | 11,2 | 9501.311.020        | 14   | 9501.311.030       | 18,3 |    |    |    |    |    |                |    |  |
| Handy platform with hatch, wood               | 9501.310.015       | 12,3 | 9501.310.025        | 20,4 | 9501.310.035       | 25,3 |    |    |    |    |    |                |    |  |
| CR platform with hatch, wood                  | 9501.316.015       | 12,3 | 9501.316.025        | 16,3 | 9501.316.035       | 18,3 | 1  | 1  | 1  | 2  | 2  | 2              | 3  |  |
| Handy platform with hatch, plastic            | 9501.311.015       | 11,9 | 9501.311.025        | 15,3 | 9501.311.035       | 18,3 |    |    |    |    |    |                |    |  |
| Horizontal                                    | 9501.200.058(CR)   | 2,0  | 9501.200.030(CR)    | 2,7  | 9501.200.040(CR)   | 3,2  | 6  | 8  | 8  | 12 | 12 | 14             | 14 |  |
| Diagonal                                      | 9501.200.043(CR)   | 2,5  | 9501.200.056(CR)    | 3,1  | 9501.902.056(CR)   | 3,6  | 2  | 4  | 4  | 6  | 6  | 8              | 8  |  |
| Toe board longitudinal side                   | 9501.200.086       | 3,5  | 9501.200.080        | 4,9  | 9501.902.080       | 6,0  | 2  | 2  | 2  | 2  | 2  | 2              | 2  |  |
| Horizontal/diagonal                           | 9501.200.049(CR)   | 2,4  | 9501.200.050(CR)    | 3,0  | 9501.902.050(CR)   | 3,5  | 1  | 1  | 1  | 1  | 1  | 1              | 1  |  |
| <b>INDOOR USE</b>                             |                    | Kg   |                     |      |                    |      |    |    |    |    |    |                |    |  |
| Stabilizer small - adjustable                 | 9501.410.100       | 6,6  |                     |      |                    |      |    |    |    |    |    |                |    |  |
| Stabilizer small - fixed                      | 9501.430.200       | 5,5  |                     |      |                    |      | 4  | 4  | 4  | 4  | 4  | 4              | 4  |  |
| Stabilizer large - adjustable                 | 9501.420.100       | 8,0  |                     |      |                    |      |    |    |    |    |    |                |    |  |
| Stabilizer large - fixed                      | 9501.430.210       | 7,0  |                     |      |                    |      |    |    |    |    |    |                | 4  |  |
| <b>OUTDOOR USE (up to PH=8m) <sup>2</sup></b> |                    | Kg   |                     |      |                    |      |    |    |    |    |    |                |    |  |
| Stabilizer small - adjustable                 | 9501.410.100       | 6,6  |                     |      |                    |      |    |    |    |    |    |                |    |  |
| Stabilizer small - fixed                      | 9501.430.200       | 5,5  |                     |      |                    |      | 4  | 4  | 4  | 4  |    |                |    |  |
| Stabilizer large - adjustable                 | 9501.420.100       | 8,0  |                     |      |                    |      |    |    |    |    |    |                |    |  |
| Stabilizer large - fixed                      | 9501.430.210       | 7,0  |                     |      |                    |      |    |    |    | 4  | 4  | 4 <sup>3</sup> |    |  |

Note: The table is based on a working level at the indicated platform height, equipped with guardrails, knee rails, toe boards, and rest levels every 4 meters with railings and knee rails. To convert a rest level to a working level, you will need: 4 toe board holders, 2 long-side toe boards, and 2 toe boards of 1300mm.

<sup>1</sup> = it is practical to use additional auxiliary floors to easily erect the scaffolding tower.

<sup>2</sup> = outdoor use with a platform height higher than 8m is prohibited unless the scaffolding is anchored to the facade of a building.

<sup>3</sup> = scaffold tower sizes 1.3x1.8 and 0.7x3.1 must be equipped with 4 XL stabilizers (9501.430.100).



Custers Hydraulica B.V.  
Smakterweg 33  
5804 AE Venray  
The Netherlands  
Tel. +31 (0) 47 85 53 000  
E-mail: [info@custers.nl](mailto:info@custers.nl)  
Website: [www.custers.nl](http://www.custers.nl)